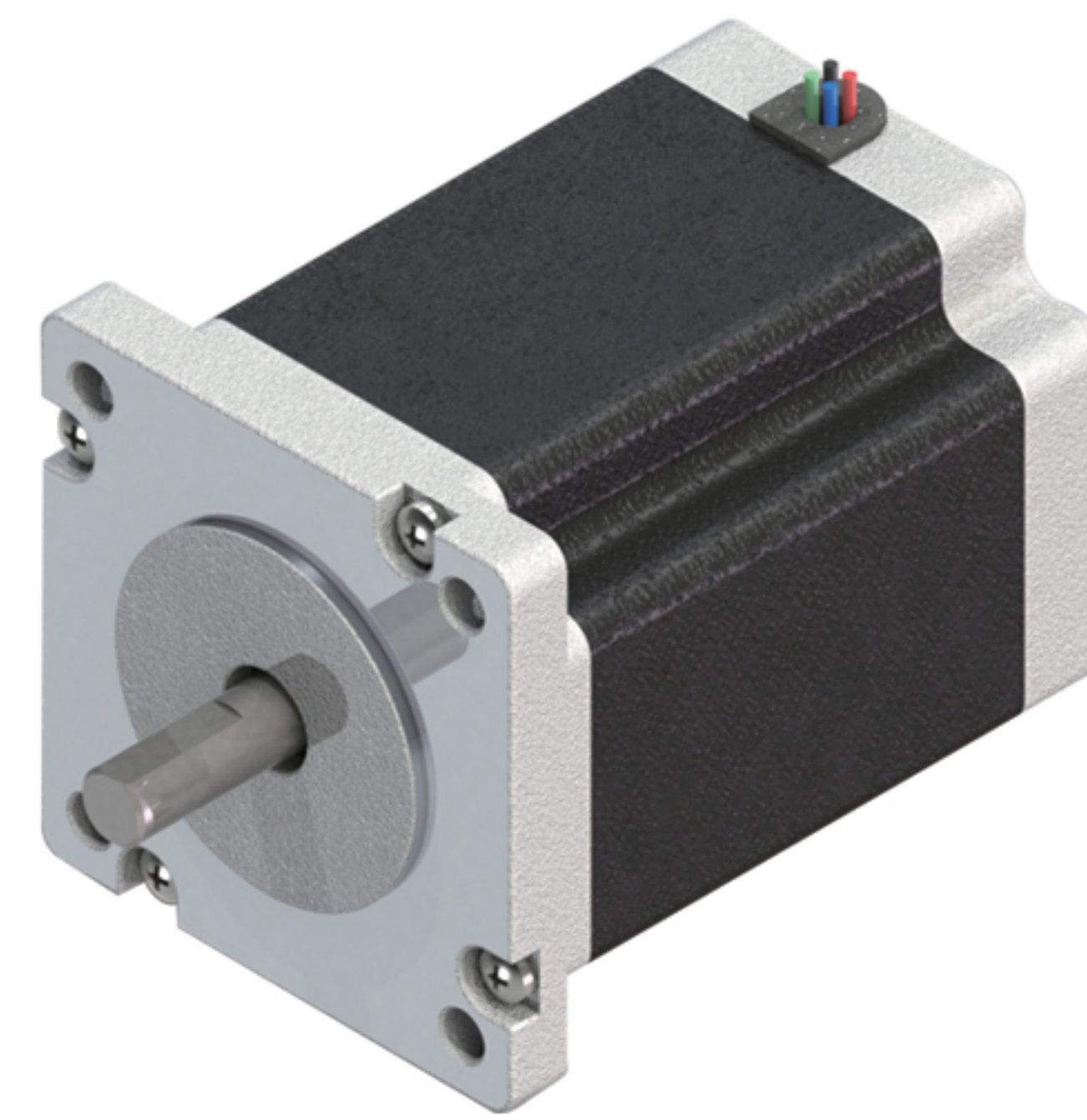


# 60H2F系列步进电机

## 60H2F Series stepping motor

步距角 Step Angle	1.8°
绝缘电阻 Insulation Resistance	500V DC 100MΩ Min
绝缘强度 Dielectric Strength	500V AC 50Hz 2mA 1Minute
环境温度 Ambient Temperature	-20~+40°C
温升 Temperature Rise	80K Max
绝缘等级 Insulation Class	B



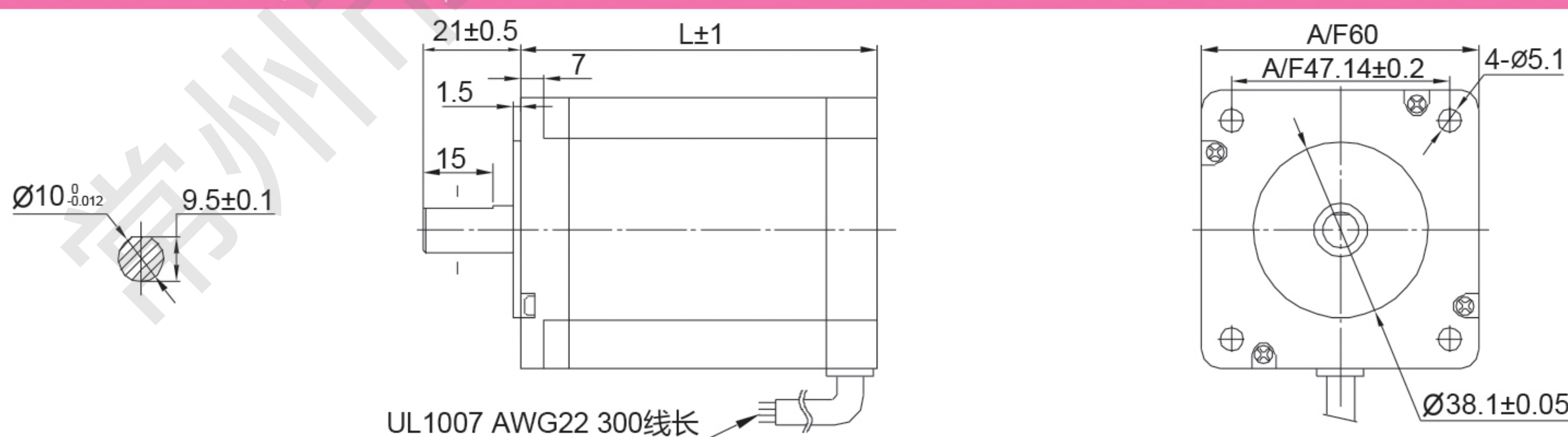
### 产品性能参数(Electrical specification):

#### 60H2F 双极性

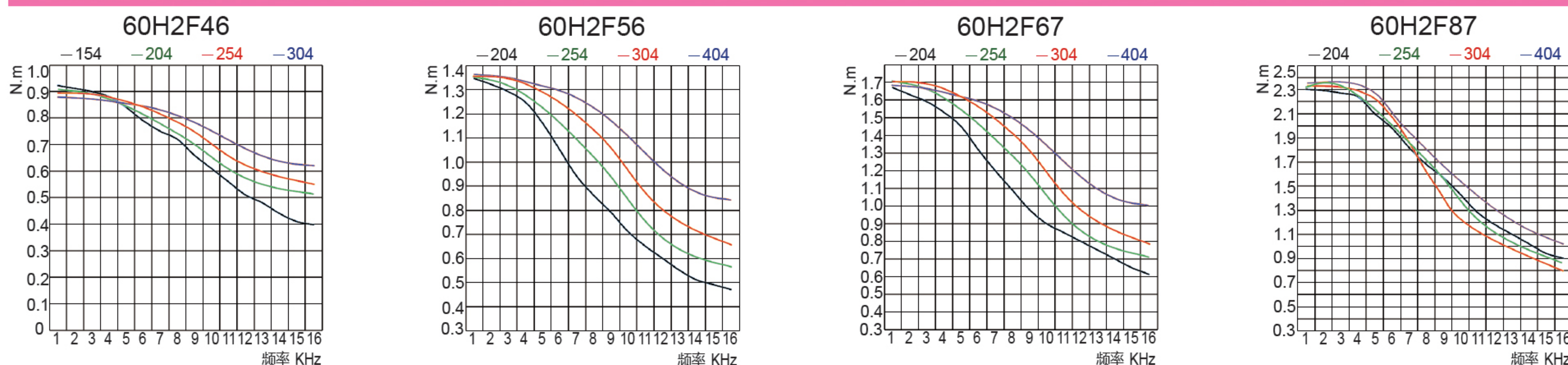
型号	机身长度 mm	额定电压 V	额定电流 Amps	绕组电参数 @20°C Typ.		静力矩		转子惯量		电机质量	
				Ohms	mH	N.m	oz-in	g.cm <sup>2</sup>	oz-in <sup>2</sup>	Kg	Lbs
60H2F46-154	46	4.8	1.5	3.2	7.1	1.2	170	280	1.5	0.6	1.3
60H2F46-204		3.4	2.0	1.7	3.9	1.2	170	280	1.5	0.6	1.3
60H2F46-254		3.0	2.5	1.2	2.7	1.2	170	280	1.5	0.6	1.3
60H2F46-304		2.1	3.0	0.7	1.6	1.2	170	280	1.5	0.6	1.3
60H2F56-204	54	4.2	2.0	2.1	6.8	1.8	255	450	2.5	0.83	1.8
60H2F56-254		3.75	2.5	1.5	4.8	1.8	255	450	2.5	0.83	1.8
60H2F56-304		2.7	3.0	0.9	2.8	1.8	255	450	2.5	0.83	1.8
60H2F56-404		2.0	4.0	0.5	1.4	1.8	255	450	2.5	0.83	1.8
60H2F67-204	65	4.4	2.0	2.2	6.0	2.3	326	560	3.1	1.05	2.3
60H2F67-254		4.25	2.5	1.7	4.5	2.4	340	560	3.1	1.05	2.3
60H2F67-304		3.3	3.0	1.1	3.0	2.3	326	560	3.1	1.05	2.3
60H2F67-404		2.4	4.0	0.6	1.5	2.4	340	560	3.1	1.05	2.3
60H2F87-204	86	5.6	2.0	2.8	9.2	3.2	455	900	4.9	1.4	3.1
60H2F87-254		5.0	2.5	2.0	6.9	3.2	455	900	4.9	1.4	3.1
60H2F87-304		3.6	3.0	1.2	4.1	3.2	455	900	4.9	1.4	3.1
60H2F87-404		2.4	4.0	0.6	2.0	3.2	455	900	4.9	1.4	3.1

以上产品可根据客户要求定制。  
Above Products can be customized according to customer requirement.

### 外形尺寸 (Dimension):



### 运行矩频特性 (Torque-frequency Characteristic):



注意：装配时，须保证电机轴和负载轴同心，严禁敲打，以免损坏电机。  
Note: When installing the motor, must ensure that the motor shaft and load shaft concentric, never hit it, so as not to damage the motor.